



## **LANBAO SENSOR** complete solution for the sensors

Established in 1998, Shanghai Lanbao Sensing Technology Co., Ltd. is a leading industrial automation products supplier in China. Our main businesses are industrial sensors R&D, production, sales and application, providing customers with standard and individual products and systems. Lanbao industrial sensors covers over 30 series, 3000 specifications, main products are inductive sensors, photoelectric sensors, capacitive sensors and pressure sensors. Lanbao has been making continuous breakthrough in new technology and new material application, which laid the foundation of its leading position in sensing technology.

Lanbao is an ISO9001:2008 quality management system and EU RoHS environmental directives implemented enterprise. Our series products are with CE, UL and CCC certification. The strict test in function, quality, reliability and production feasibility at the design stage of each product and the strict quality management in production ensure excellent quality products.

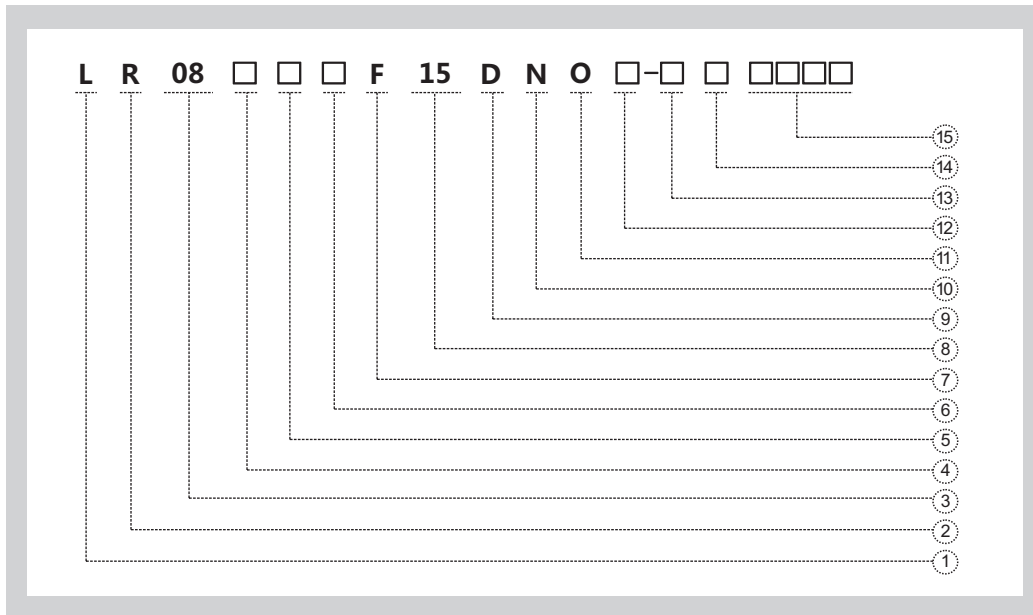
Focus on innovation, quality, service and global market, Lanbao insists on creating maximal value for customers.

## Standard function inductive sensors

- Non-contact detecting way effectively avoids abrasion, safe and reliable.
- Built-in ASIC ensures quick response, high frequency, stable performance.
- Complete range of specification:
  - Smooth cylinder series:  $\phi 4$  to  $\phi 34$ mm;
  - threaded cylinder series :M5 to M30mm;
  - rectangular series: 7\*7mm to 80\*80mm.



## Naming rules



### 1. Type Code

L:Inductive

### 2. Shape Code

R:Cylindrical  
E:Rectangular

### 3. Size Code

Number:Housing diameter  
e.g. 08:M8

### 4. Shape Code

Q:Smooth Cylindrical  
V:Angle Column  
Z:Combination  
H:Ring-shaped  
U:U-shaped  
X:Semi-thread

### 5. Housing Material

N/A:Copper  
S:Plastic  
G:Stainless Steel  
V:Aluminium

### 6. Housing Length

A:Short  
B:Standard  
C:Long

### 7. Mounting

N:Non-flush(nf)  
F:Flush(f)

### 8. Sensing Distance

02:2mm  
04:4mm  
10:10mm

### 9. Supply Voltage

A:20...250VAC  
B:90...250VAC  
C:380VAC  
D:10...30VDC  
E:10...60VDC  
F:8.2VDC  
G:5...60VDC  
L:15...30VDC  
H:20...30VDC  
I:10...40VDC  
J:5VDC  
S:20...250VAC/DC  
T:12...24VDC

### 10. Output Way

B:AC/DC 2 wires  
L:DC 2 wires  
T:AC 2 wires  
P:PNP  
N:NPN  
E:NPN/PNP  
F:NPN+PNP  
K:Relay

### 11. Output Status

A:NO/NC Reversible  
B:NO/NC Optional  
Cable Optional;Potentiometer optional  
O:NO  
C:NC  
R:NO+NC  
IU:Voltage+Current  
(0...10V,0...20mA)  
U:Voltage(0...10V)  
I:Current(0...20mA)  
I4:Current(4...20mA)

### 12. By Sensor Function

N/A:Standard function  
M:Analogue  
N:NAMUR  
W:High Temperature Resistant(-25°C...120°C)  
W1:Low Temperature Resistant(-40°C...70°C)  
W2:High Temperature Resistant(-25°C...100°C)  
B:High Pressure Resistant  
T:Speed  
Z:Self-Diagnosis  
Y:Extended Sensing Distance  
G:High Frequency  
Q:Metal Sensing Face  
A:Welding-immune  
K:EMI  
F:Detect Iron Object  
NF:Detect Non-Iron Object  
J:Rotation Speed

### 13. Cable Length

N/A:2m  
3M:3m

### 14. Connection

N/A:2M cable  
E1:M8 connector (3 pins)  
E2:M12 connector (4 pins)  
E3:M8 connector (4 pins)  
E4:M12 trapezoid connector (4 pins)  
E5:M12 connector (5 pins)  
D:Terminal

### 15. Special Requirement

In 4 Digits

## Wiring diagram

DC 2 Wires	Lead wire	M8 Connector	M12 Connector	Terminal connect
<b>NO</b>				
<b>NC</b>				

DC 3 Wires	Lead wire	M8 Connector	M12 Connector	Terminal connect
<b>NPN NO</b>				
<b>NPN NC</b>				
<b>PNP NO</b>				
<b>PNP NC</b>				

DC 4 Wires	Lead wire	M12 Connector	Terminal connect
<b>NPN NO+NC</b>			
<b>PNP NO+NC</b>			

AC 2 Wires	Lead wire	M12 Connector	Terminal connect
<b>SCR NO</b>			
<b>SCR NC</b>			

# Inductive sensors

AC/DC 2 Wires	Lead wire	M12 Connector	Terminal connect
<b>NO</b>			
<b>NC</b>			
<b>NO/NC</b>			

NAMUR	Lead wire	M8 Connector	M12 Connector	Terminal connect

Analog output	Lead wire	M12 Connector	Terminal connect
<b>3 Wires Voltage output</b>			
<b>3 Wires Current output</b>			
<b>4 Wires Voltage/current output</b>			

Remarks	M8 Connector	M12 Connector
<b>Connector</b>		

# Inductive sensors

Model	Output	Supply Voltage	Mounting	Sensing Distance	Specifications	Housing Material	Connection
Metal type							P.118
LR30X	4...20mA	DC15-30V	f/nf	10mm,15mm	M30*1.5*62	Nickel-copper alloy	Cable
LR30X	0...10V/0...20mA	DC15-30V	f/nf	10mm,15mm	M30*1.5*62	Nickel-copper alloy	Cable
LR30X	0...10V	DC15-30V	f/nf	10mm,15mm	M30*1.5*73	Nickel-copper alloy	M12 Connector
LR30X	0...20mA	DC15-30V	f/nf	10mm,15mm	M30*1.5*73	Nickel-copper alloy	M12 Connector
LR30X	4...20mA	DC15-30V	f/nf	10mm,15mm	M30*1.5*73	Nickel-copper alloy	M12 Connector
LR30X	0...10V/0...20mA	DC15-30V	f/nf	10mm,15mm	M30*1.5*73	Nickel-copper alloy	M12 Connector

Combined type							P.120
LE40SZ	0...10V	DC15-30V	f/nf	10mm,15mm	40*40*66	PBT	M12 Connector
LE40SZ	0...20mA	DC15-30V	f/nf	10mm,15mm	40*40*66	PBT	M12 Connector
LE40SZ	4...20mA	DC15-30V	f/nf	10mm,15mm	40*40*66	PBT	M12 Connector
LE40SZ	0...10V/0...20mA	DC15-30V	f/nf	10mm,15mm	40*40*66	PBT	M12 Connector
LE40XZ	0...10V	DC15-30V	f/nf	10mm,15mm	40*40*120	PBT	Terminal connect
LE40XZ	0...20mA	DC15-30V	f/nf	10mm,15mm	40*40*120	PBT	Terminal connect
LE40XZ	4...20mA	DC15-30V	f/nf	10mm,15mm	40*40*120	PBT	Terminal connect
LE40XZ	0...10V/0...20mA	DC15-30V	f/nf	10mm,15mm	40*40*120	PBT	Terminal connect
LE40XZ	0...10V	DC15-30V	f/nf	10mm,15mm	40*40*120	PBT	M12 Connector
LE40XZ	0...20mA	DC15-30V	f/nf	10mm,15mm	40*40*120	PBT	M12 Connector
LE40XZ	4...20mA	DC15-30V	f/nf	10mm,15mm	40*40*120	PBT	M12 Connector
LE40XZ	0...10V/0...20mA	DC15-30V	f/nf	10mm,15mm	40*40*120	PBT	M12 Connector
LE80XZ	0...10V	DC15-30V	f/nf	40mm,50mm	80*80*40	PBT	Terminal connect
LE80XZ	0...20mA	DC15-30V	f/nf	40mm,50mm	80*80*40	PBT	Terminal connect
LE80XZ	4...20mA	DC15-30V	f/nf	40mm,50mm	80*80*40	PBT	Terminal connect
LE80XZ	0...10V/0...20mA	DC15-30V	f/nf	40mm,50mm	80*80*40	PBT	Terminal connect
LE80XZ	0...10V	DC15-30V	f/nf	40mm,50mm	80*80*40	PBT	M12 Connector
LE80XZ	0...20mA	DC15-30V	f/nf	40mm,50mm	80*80*40	PBT	M12 Connector
LE80XZ	4...20mA	DC15-30V	f/nf	40mm,50mm	80*80*40	PBT	M12 Connector
LE80XZ	0...10V/0...20mA	DC15-30V	f/nf	40mm,50mm	80*80*40	PBT	M12 Connector

## Extended temperature

P.123

Model	Output	Supply Voltage	Mounting	Sensing Distance	Specifications	Housing Material	Connection
Metal type ( -40°C+70°C )							P.123
LR12X	DC 3 Wires	DC10-30V	f/nf	2mm,4mm	M12*1*51	Nickel-copper alloy	Cable
LR12X	DC 3 Wires	DC10-30V	f/nf	2mm,4mm	M12*1*63	Nickel-copper alloy	M12 Connector

# Inductive sensors

Model	Output	Supply Voltage	Mounting	Sensing Distance	Specifications	Housing Material	Connection
Metal type ( -40°C+70°C )							P.124
LR18X	DC 3 Wires	DC10-30V	f/nf	5mm,8mm	M18*1*43	Nickel-copper alloy	Cable
LR18X	DC 3 Wires	DC10-30V	f/nf	5mm,8mm	M18*1*46	Nickel-copper alloy	M12 Connector
LR30X	DC 3 Wires	DC10-30V	f/nf	10mm,15mm	M30*1.5*43	Nickel-copper alloy	Cable
LR30X	DC 3 Wires	DC10-30V	f/nf	10mm,15mm	M30*1.5*46	Nickel-copper alloy	M12 Connector

Combined type ( -40°C+70°C )							P.126
LE40SZ	DC 3/4 Wires	DC10-30V	f/nf	15mm,20mm	40*40*66	PBT	M12 Connector
LE40XZ	DC 3/4 Wires	DC10-30V	f/nf	15mm,20mm	40*40*120	PBT	Terminal connect
LE40XZ	DC 3/4 Wires	DC10-30V	f/nf	15mm,20mm	40*40*120	PBT	M12 Connector
LE80XZ	DC 3/4 Wires	DC10-30V	f/nf	40mm,50mm	80*80*40	PBT	Terminal connect
LE80XZ	DC 3/4 Wires	DC10-30V	f/nf	40mm,50mm	80*80*40	PBT	M12 Connector

Metal type ( -25°C+120°C )							P.129
LR12X	DC 3 Wires	DC10-30V	f/nf	2mm,4mm	M12*1*43	Nickel-copper alloy	Cable
LR12X	DC 3 Wires	DC10-30V	f/nf	2mm,4mm	M12*1*46	Nickel-copper alloy	M12 Connector
LR18X	DC 3 Wires	DC10-30V	f/nf	5mm,8mm	M18*1*43	Nickel-copper alloy	Cable
LR18X	DC 3 Wires	DC10-30V	f/nf	5mm,8mm	M18*1*46	Nickel-copper alloy	M12 Connector
LR30X	DC 3 Wires	DC10-30V	f/nf	10mm,15mm	M30*1.5*43	Nickel-copper alloy	Cable
LR30X	DC 3 Wires	DC10-30V	f/nf	10mm,15mm	M30*1.5*46	Nickel-copper alloy	M12 Connector

Combined type ( -25°C+100°C )							P.132
LE40XZ	DC 3/4 Wires	DC10-30V	f/nf	15mm,20mm	40*40*120	PBT	M12 Connector
LE80XZ	DC 3/4 Wires	DC10-30V	f/nf	40mm,50mm	80*80*40	PBT	Terminal connect

## High pressure resistant

P.135

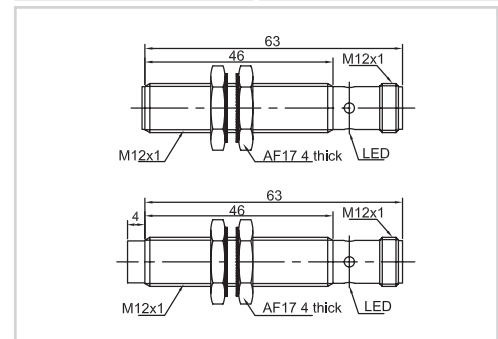
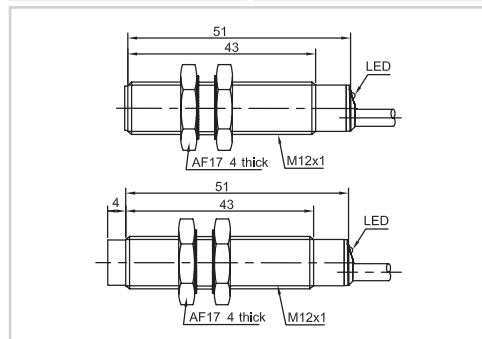
Model	Output	Supply Voltage	Mounting	Sensing Distance	Specifications	Housing Material	Connection
LR12X	DC 3 Wires	DC10-30V	f	1.5mm	M12*1*40	Stainless steel	Cable
LR12X	DC 3 Wires	DC10-30V	f	1.5mm	M12*1*40	Stainless steel	M12 Connector
LR18X	DC 3 Wires	DC10-30V	f	2mm	M18*1*46	Stainless steel	Cable
LR18X	DC 3 Wires	DC10-30V	f	2mm	M18*1*46	Stainless steel	M12 Connector
LR16X	DC 3 Wires	DC10-30V	f	2mm	M16*1*44	Stainless steel	Cable
LR16X	DC 3 Wires	DC10-30V	f	2mm	M16*1*44	Stainless steel	M12 Connector
LR14X	DC 3 Wires	DC10-30V	f	2mm	9/16-18UNF*8	Stainless steel	Cable
LR14X	DC 3 Wires	DC10-30V	f	2mm	9/16-18UNF*8	Stainless steel	M12 Connector

Item Code	LR12X		LR12X	
Mounting	● Flush	○ Non-flush	● Flush	○ Non-flush
Sensing distance	2mm	4mm	2mm	4mm



Output	NPN NO	LR12XBF02DNOW1	LR12XBN04DNOW1	LR12XBF02DNOW1-E2	LR12XBN04DNOW1-E2
	NPN NC	LR12XBF02DNCW1	LR12XBN04DNCW1	LR12XBF02DNCW1-E2	LR12XBN04DNCW1-E2
Output	PNP NO	LR12XBF02DPOW1	LR12XBN04DPOW1	LR12XBF02DPOW1-E2	LR12XBN04DPOW1-E2
	PNP NC	LR12XBF02DPCW1	LR12XBN04DPCW1	LR12XBF02DPCW1-E2	LR12XBN04DPCW1-E2

Technical Parameter				
Supply voltage	10...30 VDC	10...30 VDC	10...30 VDC	10...30 VDC
Switch point drift	< ±10% Sr	< ±10% Sr	< ±10% Sr	< ±10% Sr
Load current	<200mA	<200mA	<200mA	<200mA
Voltage drop	<2.5V	<2.5V	<2.5V	<2.5V
Consumption current	<15mA	<15mA	<15mA	<15mA
Hysteresis	1...20%	1...20%	1...20%	1...20%
Repeat accuracy	<3%	<3%	<3%	<3%
Frequency	1500Hz	1000Hz	1500Hz	1000Hz
Output indicator	Yellow LED	Yellow LED	Yellow LED	Yellow LED
Polarity protection	yes	yes	yes	yes
Dielectric strength	1000V/AC 50/60Hz 60s	1000V/AC 50/60Hz 60s	1000V/AC 50/60Hz 60s	1000V/AC 50/60Hz 60s
Short-circuit protection	yes	yes	yes	yes
Ambient temperature	-40...+70°C	-40...+70°C	-40...+70°C	-40...+70°C
Ambient moisture	35...95%	35...95%	35...95%	35...95%
Protection degree	IP67	IP67	IP67	IP67
Housing material	Nickel-copper alloy	Nickel-copper alloy	Nickel-copper alloy	Nickel-copper alloy
Connection	2m PUR Cable	2m PUR Cable	M12 Connector	M12 Connector
Certification	CE	CE	CE	CE



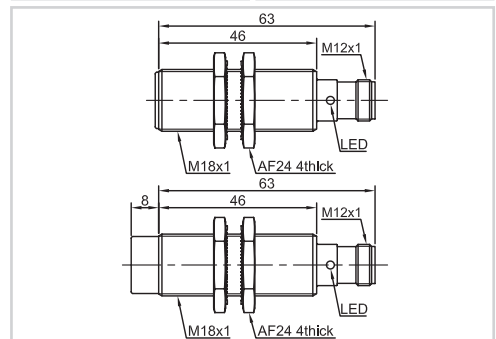
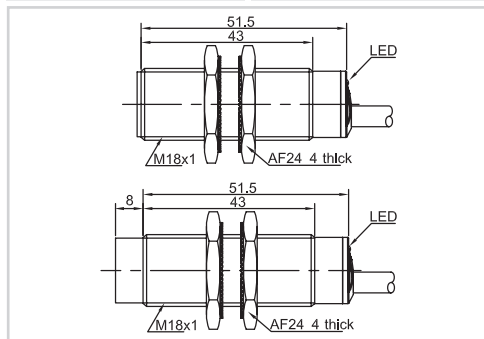


Item Code	LR18X		LR18X	
Mounting	● Flush	◐ Non-flush	● Flush	◐ Non-flush
Sensing distance	5mm	8mm	5mm	8mm



Output	NPN NO	LR18XBFO5DNOW1	LR18XBN08DNOW1	LR18XBFO5DNOW1-E2	LR18XBN08DNOW1-E2
	NPN NC	LR18XBFO5DNCW1	LR18XBN08DNCW1	LR18XBFO5DNCW1-E2	LR18XBN08DNCW1-E2
Output	PNP NO	LR18XBFO5DPOW1	LR18XBN08DPOW1	LR18XBFO5DPOW1-E2	LR18XBN08DPOW1-E2
	PNP NC	LR18XBFO5DPCW1	LR18XBN08DPCW1	LR18XBFO5DPCW1-E2	LR18XBN08DPCW1-E2

Technical Parameter				
Supply voltage	10...30 VDC	10...30 VDC	10...30 VDC	10...30 VDC
Switch point drift	< ±10% Sr	< ±10% Sr	< ±10% Sr	< ±10% Sr
Load current	<200mA	<200mA	<200mA	<200mA
Voltage drop	<2.5V	<2.5V	<2.5V	<2.5V
Consumption current	<15mA	<15mA	<15mA	<15mA
Hysteresis	1...20%	1...20%	1...20%	1...20%
Repeat accuracy	<3%	<3%	<3%	<3%
Frequency	1000Hz	800Hz	1000Hz	800Hz
Output indicator	Yellow LED	Yellow LED	Yellow LED	Yellow LED
Polarity protection	yes	yes	yes	yes
Dielectric strength	1000V/AC 50/60Hz 60s	1000V/AC 50/60Hz 60s	1000V/AC 50/60Hz 60s	1000V/AC 50/60Hz 60s
Short-circuit protection	yes	yes	yes	yes
Ambient temperature	-40...+70°C	-40...+70°C	-40...+70°C	-40...+70°C
Ambient moisture	35...95%	35...95%	35...95%	35...95%
Protection degree	IP67	IP67	IP67	IP67
Housing material	Nickel-copper alloy	Nickel-copper alloy	Nickel-copper alloy	Nickel-copper alloy
Connection	2m PUR Cable	2m PUR Cable	M12 Connector	M12 Connector
Certification	CE	CE	CE	CE

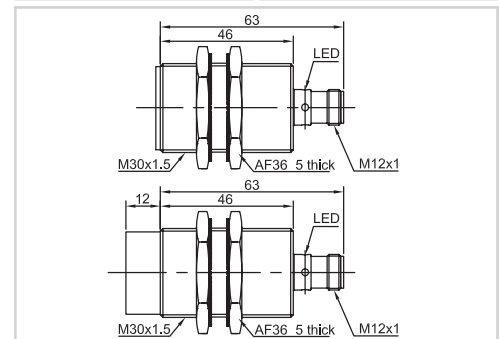
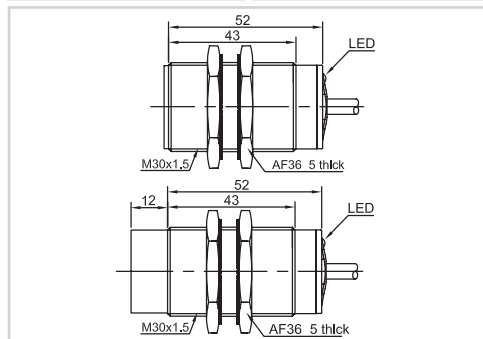


Item Code	LR30X		LR30X	
Mounting	● Flush	◐ Non-flush	● Flush	◐ Non-flush
Sensing distance	10mm	15mm	10mm	15mm



Output	NPN NO	LR30XBF10DNEW1	LR30XBN15DNEW1	LR30XBF10DNEW1-E2	LR30XBN15DNEW1-E2
	NPN NC	LR30XBF10DNCW1	LR30XBN15DNCW1	LR30XBF10DNCW1-E2	LR30XBN15DNCW1-E2
Output	PNP NO	LR30XBF10DPOW1	LR30XBN15DPOW1	LR30XBF10DPOW1-E2	LR30XBN15DPOW1-E2
	PNP NC	LR30XBF10DPCW1	LR30XBN15DPCW1	LR30XBF10DPCW1-E2	LR30XBN15DPCW1-E2

Technical Parameter				
Supply voltage	10...30 VDC	10...30 VDC	10...30 VDC	10...30 VDC
Switch point drift	< ±10% Sr	< ±10% Sr	< ±10% Sr	< ±10% Sr
Load current	<200mA	<200mA	<200mA	<200mA
Voltage drop	<2.5V	<2.5V	<2.5V	<2.5V
Consumption current	<15mA	<15mA	<15mA	<15mA
Hysteresis	1...20%	1...20%	1...20%	1...20%
Repeat accuracy	<3%	<3%	<3%	<3%
Frequency	500Hz	300Hz	500Hz	300Hz
Output indicator	Yellow LED	Yellow LED	Yellow LED	Yellow LED
Polarity protection	yes	yes	yes	yes
Dielectric strength	1000V/AC 50/60Hz 60s	1000V/AC 50/60Hz 60s	1000V/AC 50/60Hz 60s	1000V/AC 50/60Hz 60s
Short-circuit protection	yes	yes	yes	yes
Ambient temperature	-40...+70°C	-40...+70°C	-40...+70°C	-40...+70°C
Ambient moisture	35...95%	35...95%	35...95%	35...95%
Protection degree	IP67	IP67	IP67	IP67
Housing material	Nickel-copper alloy	Nickel-copper alloy	Nickel-copper alloy	Nickel-copper alloy
Connection	2m PUR Cable	2m PUR Cable	M12 Connector	M12 Connector
Certification	CE	CE	CE	CE

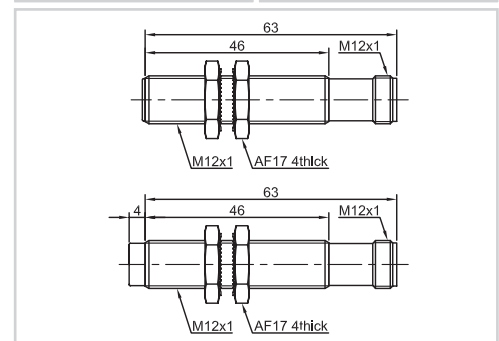
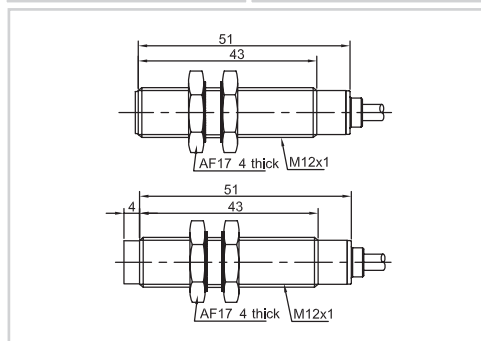


Item Code	LR12X		LR12X	
Mounting	● Flush	◐ Non-flush	● Flush	◐ Non-flush
Sensing distance	2mm	4mm	2mm	4mm



Output	NPN NO	LR12XBF02DNOV	LR12XBN04DNOV	LR12XBF02DNOV-E2	LR12XBN04DNOV-E2
	NPN NC	LR12XBF02DNCW	LR12XBN04DNCW	LR12XBF02DNCW-E2	LR12XBN04DNCW-E2
Output	PNP NO	LR12XBF02DPOV	LR12XBN04DPOV	LR12XBF02DPOV-E2	LR12XBN04DPOV-E2
	PNP NC	LR12XBF02DPCW	LR12XBN04DPCW	LR12XBF02DPCW-E2	LR12XBN04DPCW-E2

Technical Parameter				
Supply voltage	10...30 VDC	10...30 VDC	10...30 VDC	10...30 VDC
Switch point drift	<±10% Sr	<±10% Sr	<±10% Sr	<±10% Sr
Load current	<100mA	<100mA	<100mA	<100mA
Voltage drop	<2.5V	<2.5V	<2.5V	<2.5V
Consumption current	<15mA	<15mA	<15mA	<15mA
Hysteresis	1...20%	1...20%	1...20%	1...20%
Repeat accuracy	<5%	<5%	<5%	<5%
Frequency	500Hz	500Hz	500Hz	500Hz
Output indicator	...	...	...	...
Polarity protection	yes	yes	yes	yes
Dielectric strength	1000V/AC 50/60Hz 60s	1000V/AC 50/60Hz 60s	1000V/AC 50/60Hz 60s	1000V/AC 50/60Hz 60s
Short-circuit protection	...	...	...	...
Ambient temperature	-25...+120°C	-25...+120°C	-25...+120°C	-25...+120°C
Ambient moisture	35...95%	35...95%	35...95%	35...95%
Protection degree	IP67	IP67	IP67	IP67
Housing material	Nickel-copper alloy	Nickel-copper alloy	Nickel-copper alloy	Nickel-copper alloy
Connection	2m Silica Gel	2m Silica Gel	M12 Connector	M12 Connector
Certification	CE U <sub>L</sub>	CE U <sub>L</sub>	CE U <sub>L</sub>	CE U <sub>L</sub>

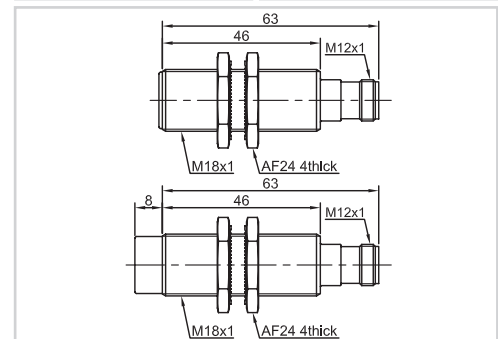
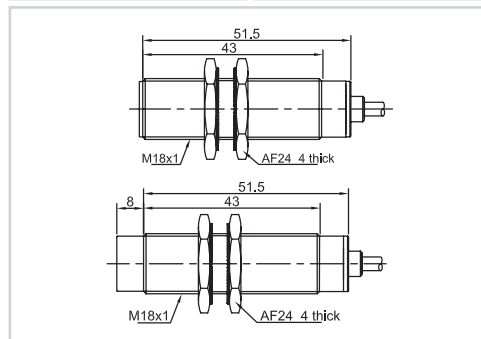


Item Code	LR18X		LR18X	
Mounting	● Flush	◐ Non-flush	● Flush	◐ Non-flush
Sensing distance	5mm	8mm	5mm	8mm



Output	NPN NO	LR18XBF05DNEW	LR18XBN08DNEW	LR18XBF05DNEW-E2	LR18XBN08DNEW-E2
	NPN NC	LR18XBF05DNCW	LR18XBN08DNCW	LR18XBF05DNCW-E2	LR18XBN08DNCW-E2
Output	PNP NO	LR18XBF05DPOW	LR18XBN08DPOW	LR18XBF05DPOW-E2	LR18XBN08DPOW-E2
	PNP NC	LR18XBF05DPCW	LR18XBN08DPCW	LR18XBF05DPCW-E2	LR18XBN08DPCW-E2

Technical Parameter				
Supply voltage	10...30 VDC	10...30 VDC	10...30 VDC	10...30 VDC
Switch point drift	< ±10% Sr	< ±10% Sr	< ±10% Sr	< ±10% Sr
Load current	<100mA	<100mA	<100mA	<100mA
Voltage drop	<2.5V	<2.5V	<2.5V	<2.5V
Consumption current	<15mA	<15mA	<15mA	<15mA
Hysteresis	1...20%	1...20%	1...20%	1...20%
Repeat accuracy	<5%	<5%	<5%	<5%
Frequency	400Hz	400Hz	400Hz	400Hz
Output indicator	...	...	...	...
Polarity protection	yes	yes	yes	yes
Dielectric strength	1000V/AC 50/60Hz 60s	1000V/AC 50/60Hz 60s	1000V/AC 50/60Hz 60s	1000V/AC 50/60Hz 60s
Short-circuit protection	...	...	...	...
Ambient temperature	-25...+120°C	-25...+120°C	-25...+120°C	-25...+120°C
Ambient moisture	35...95%	35...95%	35...95%	35...95%
Protection degree	IP67	IP67	IP67	IP67
Housing material	Nickel-copper alloy	Nickel-copper alloy	Nickel-copper alloy	Nickel-copper alloy
Connection	2m Silica Gel	2m Silica Gel	M12 Connector	M12 Connector
Certification	CE U <sub>L</sub>	CE U <sub>L</sub>	CE U <sub>L</sub>	CE U <sub>L</sub>



Item Code	LR30X		LR30X	
Mounting	● Flush	◐ Non-flush	● Flush	◐ Non-flush
Sensing distance	10mm	15mm	10mm	15mm



Output	NPN NO	LR30XBF10DNEW	LR30XBN15DNEW	LR30XBF10DNEW-E2	LR30XBN15DNEW-E2
	NPN NC	LR30XBF10DNCW	LR30XBN15DNCW	LR30XBF10DNCW-E2	LR30XBN15DNCW-E2
Output	PNP NO	LR30XBF10DPOW	LR30XBN15DPOW	LR30XBF10DPOW-E2	LR30XBN15DPOW-E2
	PNP NC	LR30XBF10DPCW	LR30XBN15DPCW	LR30XBF10DPCW-E2	LR30XBN15DPCW-E2

Technical Parameter				
Supply voltage	10...30 VDC	10...30 VDC	10...30 VDC	10...30 VDC
Switch point drift	< ±10% Sr	< ±10% Sr	< ±10% Sr	< ±10% Sr
Load current	<100mA	<100mA	<100mA	<100mA
Voltage drop	<2.5V	<2.5V	<2.5V	<2.5V
Consumption current	<15mA	<15mA	<15mA	<15mA
Hysteresis	1...20%	1...20%	1...20%	1...20%
Repeat accuracy	<5%	<5%	<5%	<5%
Frequency	200Hz	200Hz	200Hz	200Hz
Output indicator	...	...	...	...
Polarity protection	yes	yes	yes	yes
Dielectric strength	1000V/AC 50/60Hz 60s	1000V/AC 50/60Hz 60s	1000V/AC 50/60Hz 60s	1000V/AC 50/60Hz 60s
Short-circuit protection	...	...	...	...
Ambient temperature	-25...+120°C	-25...+120°C	-25...+120°C	-25...+120°C
Ambient moisture	35...95%	35...95%	35...95%	35...95%
Protection degree	IP67	IP67	IP67	IP67
Housing material	Nickel-copper alloy	Nickel-copper alloy	Nickel-copper alloy	Nickel-copper alloy
Connection	2m Silica Gel	2m Silica Gel	M12 Connector	M12 Connector
Certification	CE U <sub>L</sub>	CE U <sub>L</sub>	CE U <sub>L</sub>	CE U <sub>L</sub>

